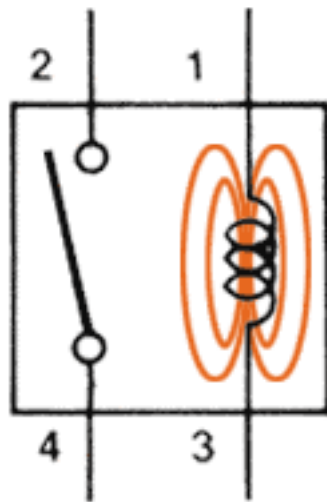


---

Overhead Transparencies - Color Masters

# UNDERSTANDING RELAYS

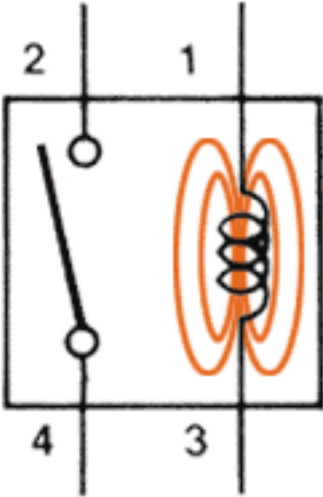
For use with color printers to make color transparencies



Developed by  
**Kevin R. Sullivan**

# UNDERSTANDING RELAYS

---

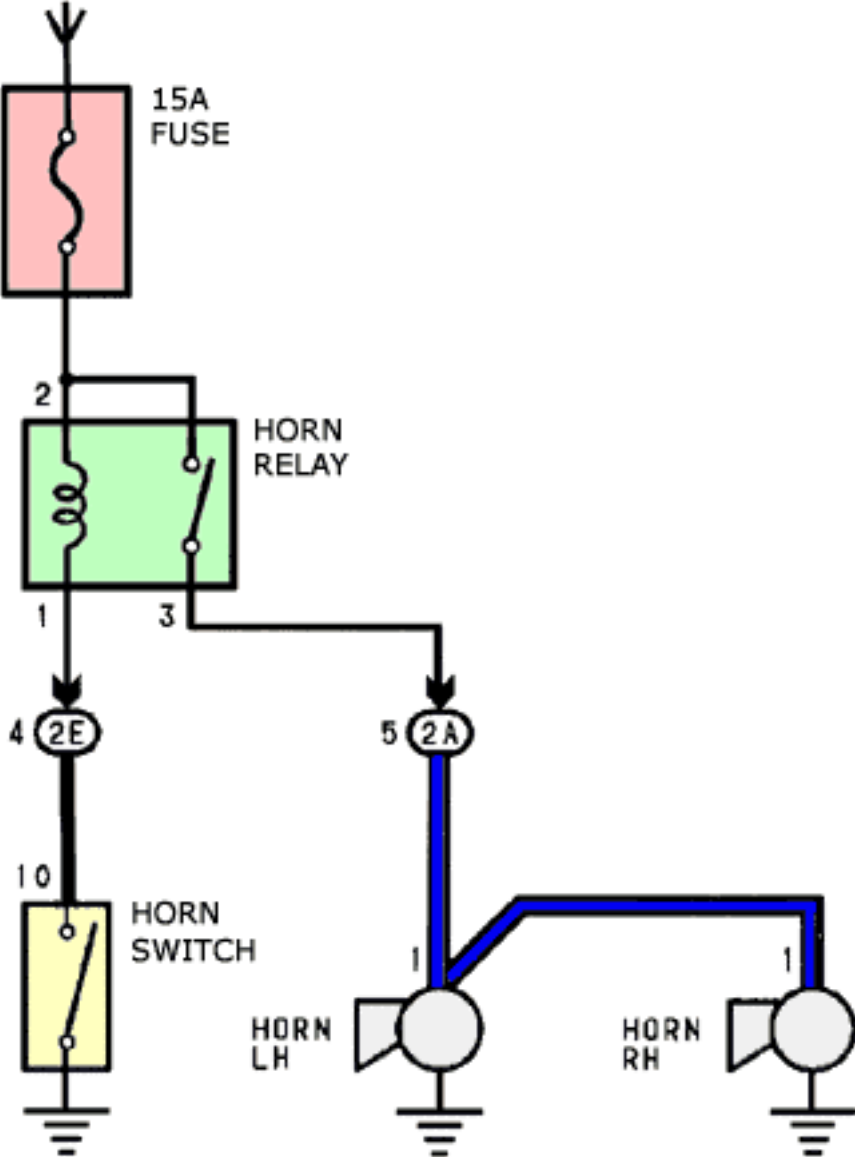


# UNDERSTANDING RELAYS



# UNDERSTANDING RELAYS

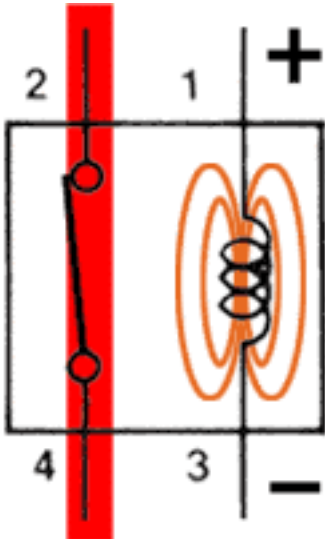
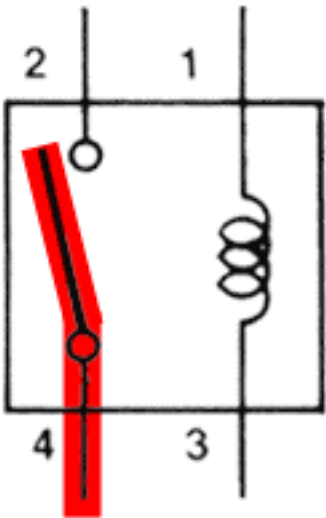
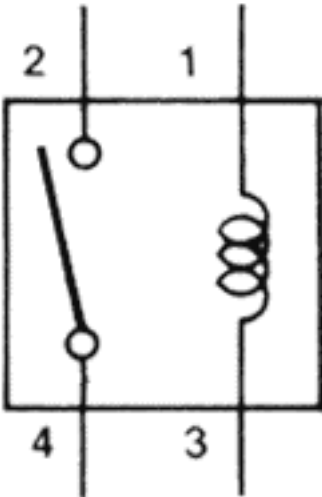
---



# UNDERSTANDING RELAYS

---

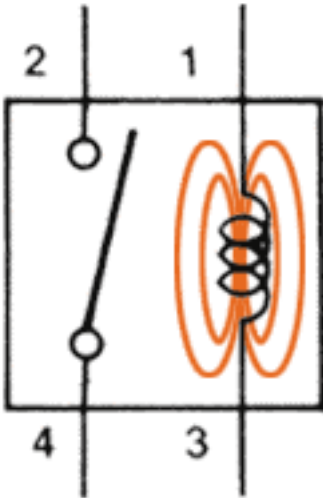
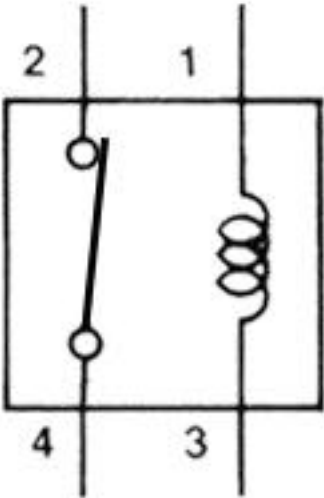
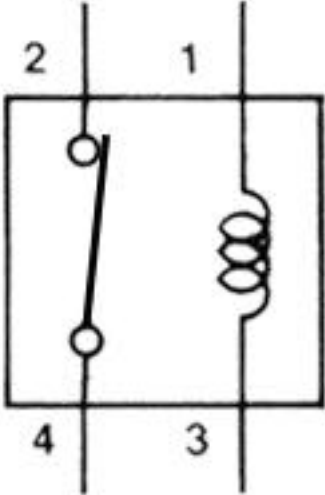
## Normally Open Relay (NO)



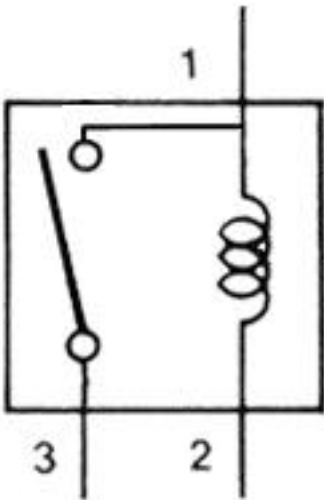
# UNDERSTANDING RELAYS

---

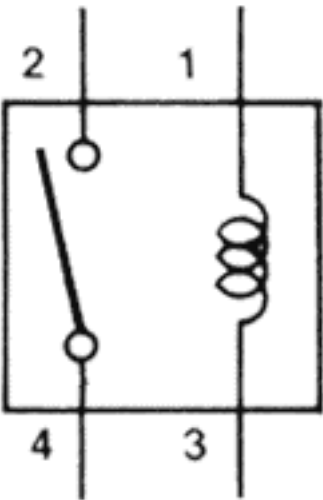
## Normally Closed Relay (NC)



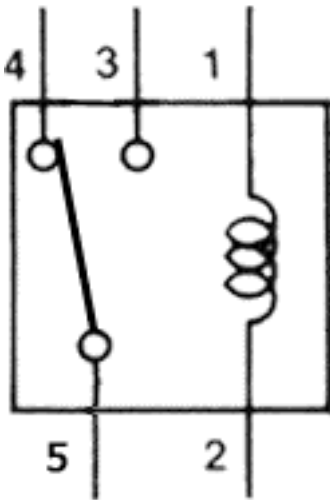
## Relay Variations



3 - PIN



4 - PIN

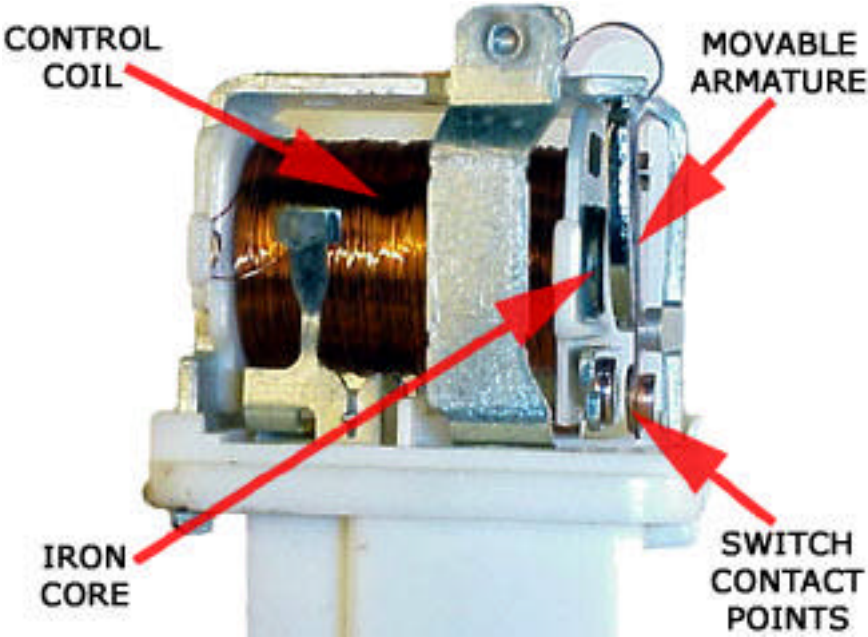
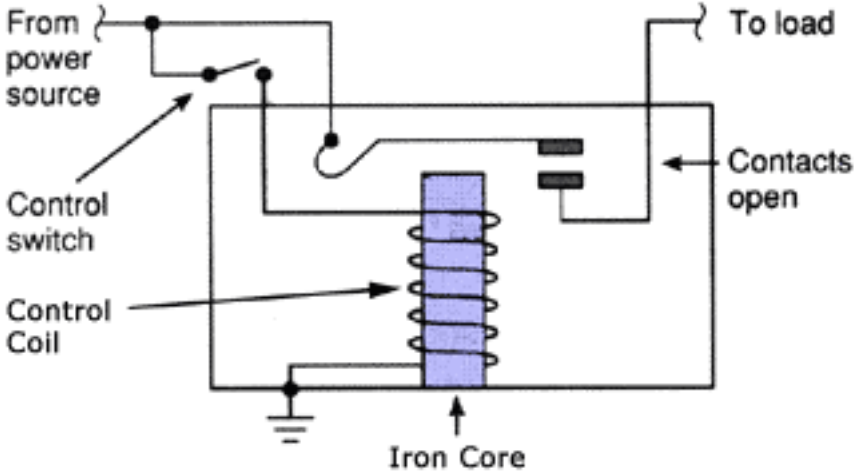


5 - PIN

# UNDERSTANDING RELAYS

---

## Relay Construction



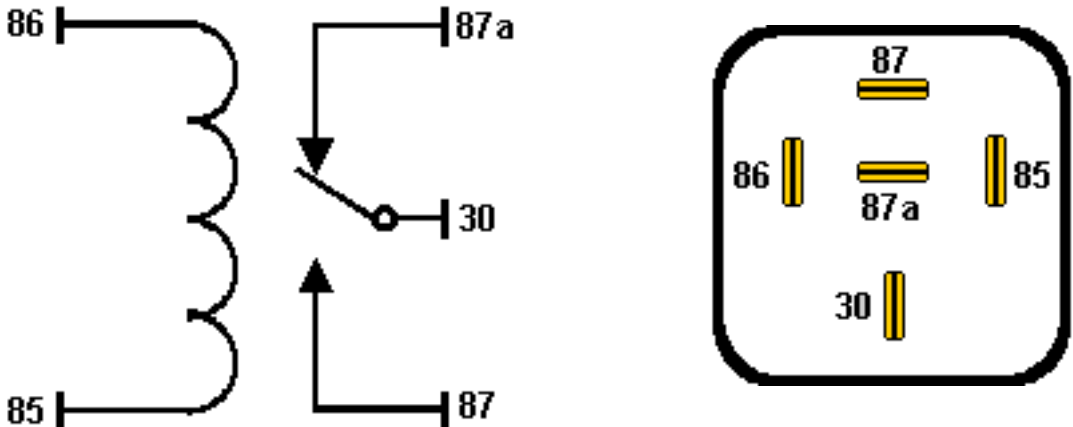


# UNDERSTANDING RELAYS

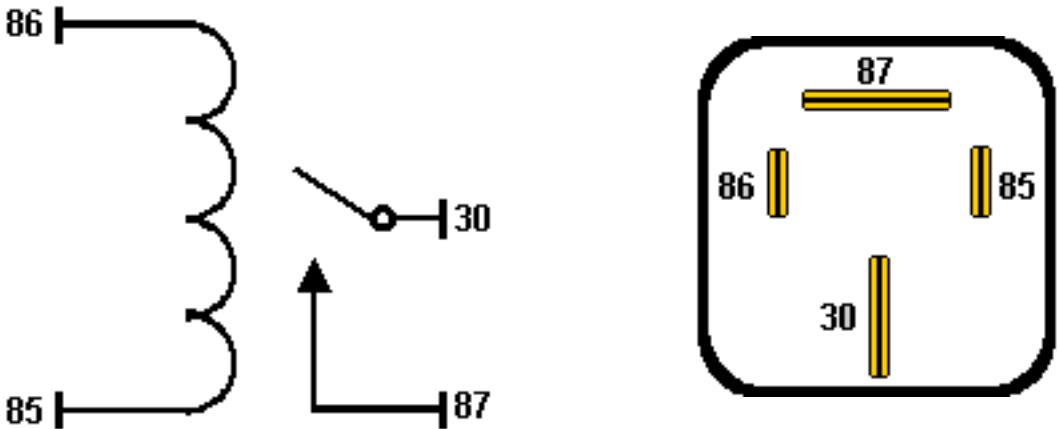
---

## MINI ISO Relay

5 - PIN



4 - PIN

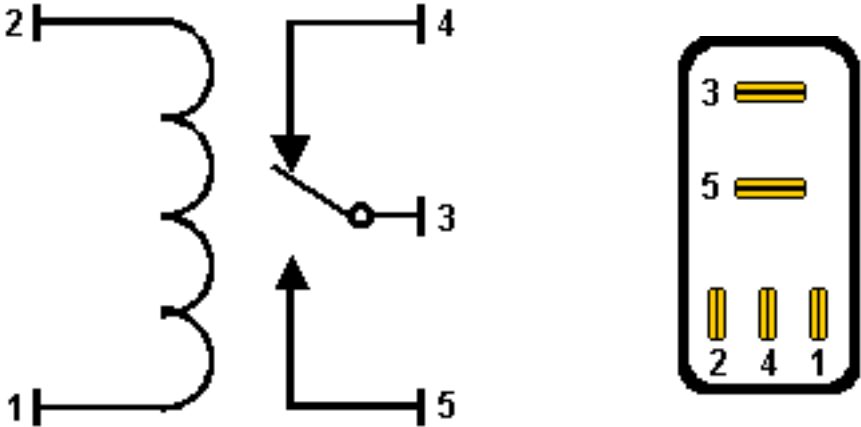


# UNDERSTANDING RELAYS

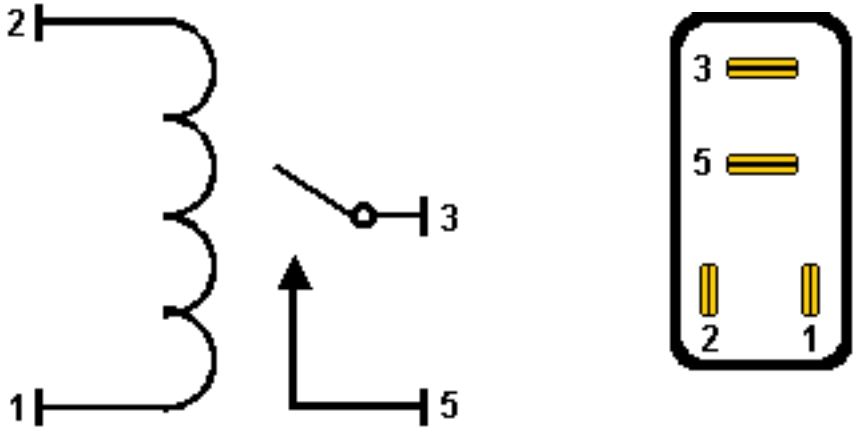
---

## MICRO ISO Relay

5 - PIN

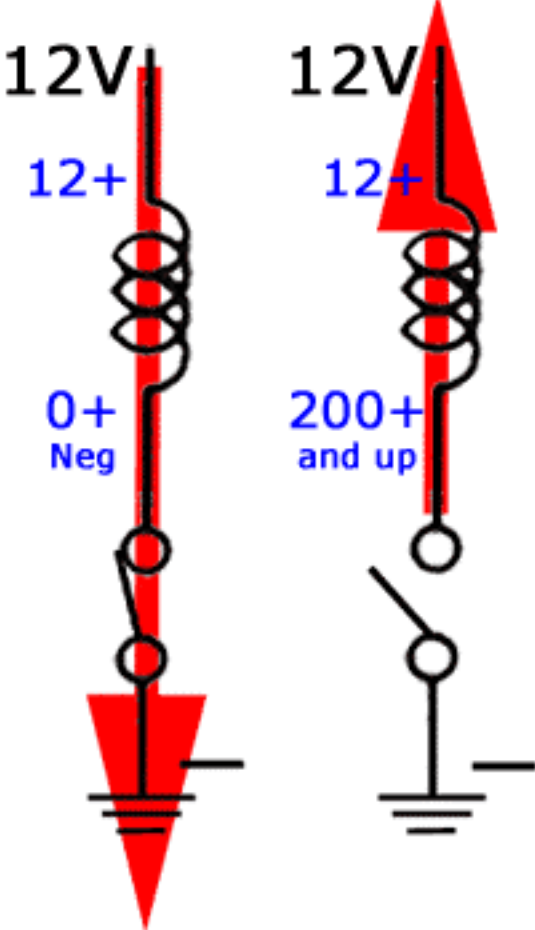


4 - PIN



# UNDERSTANDING RELAYS

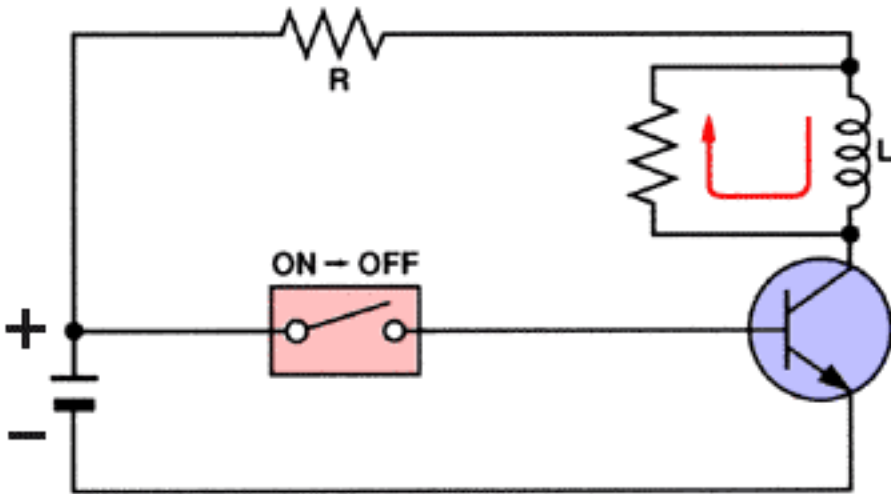
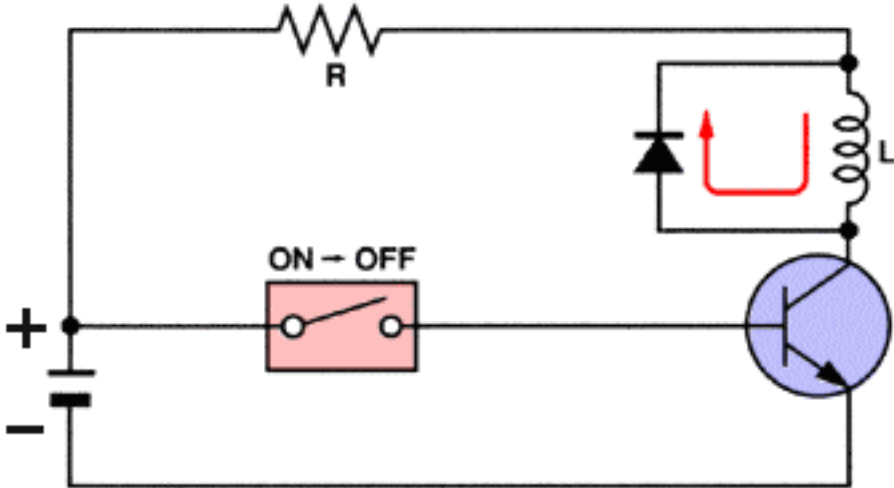
---



# UNDERSTANDING RELAYS

---

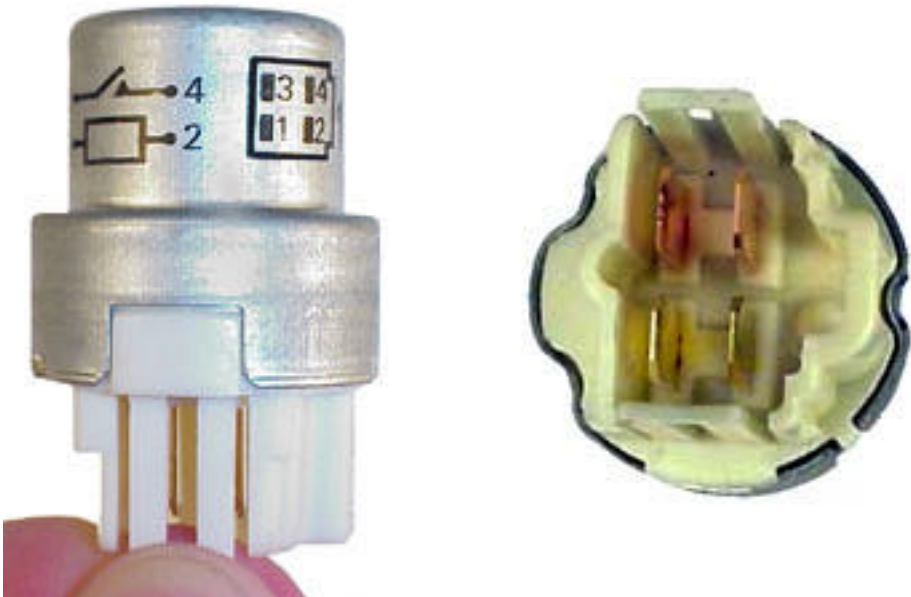
## Voltage Suppression



# UNDERSTANDING RELAYS

---

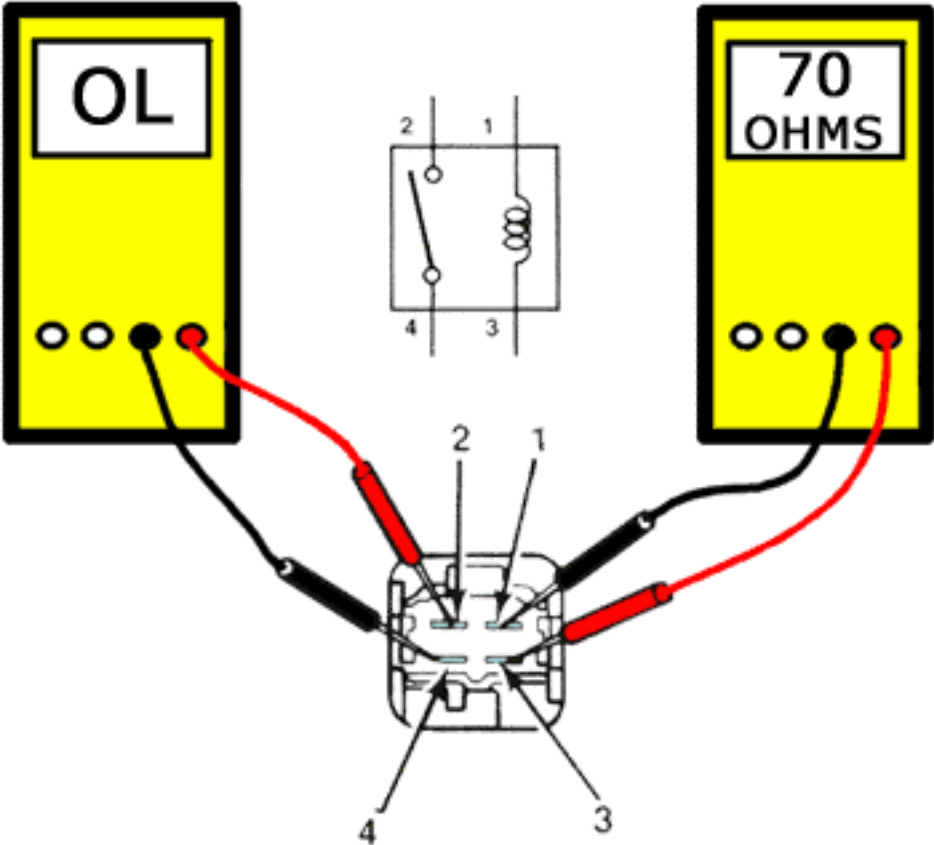
## Relay Pin Identification



# UNDERSTANDING RELAYS

---

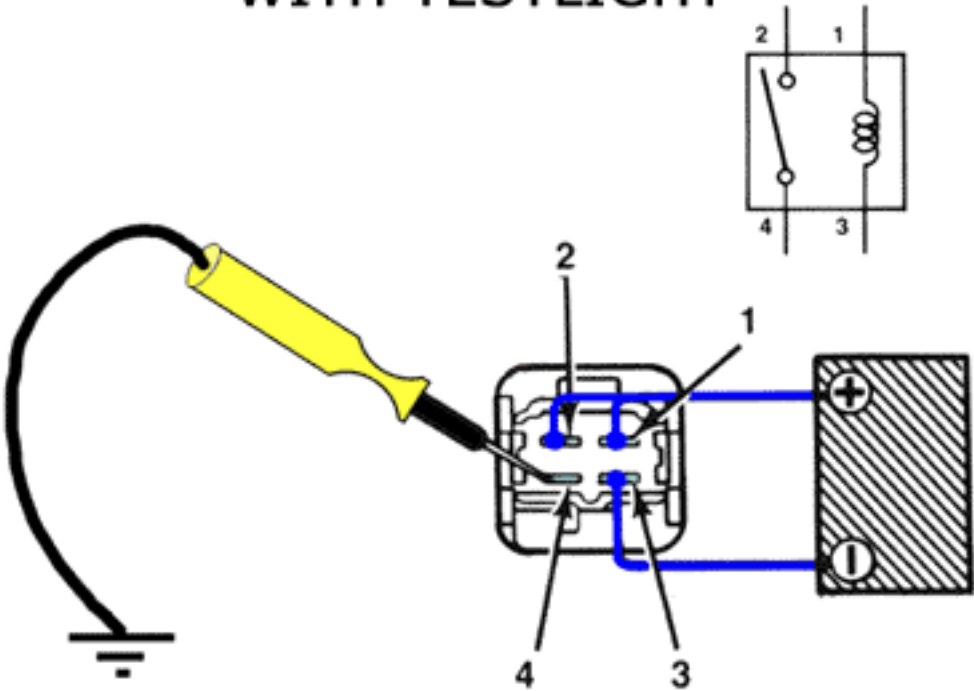
## RELAY CONTINUITY CHECK



# UNDERSTANDING RELAYS

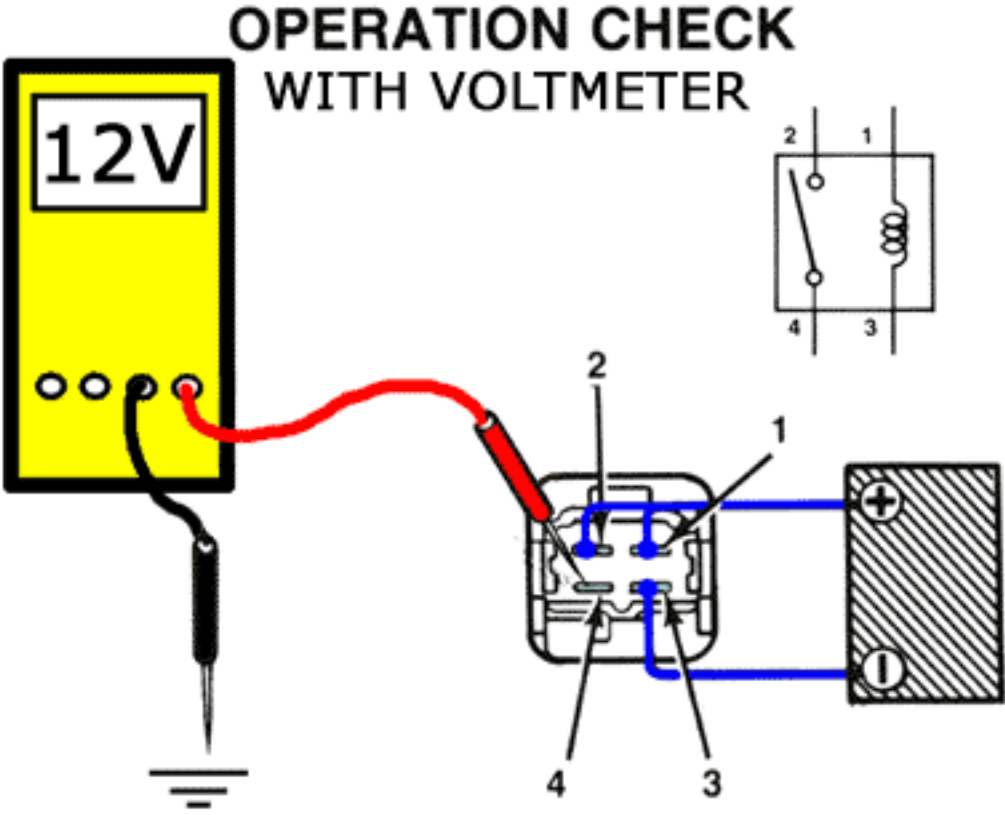
---

## OPERATION CHECK WITH TESTLIGHT



# UNDERSTANDING RELAYS

---





# UNDERSTANDING RELAYS

---

## OHMMETER

### OPERATION CHECK

